

Product Specification

Receiving card

HD-R507T(A)

V0.1 20210909

1. Overview

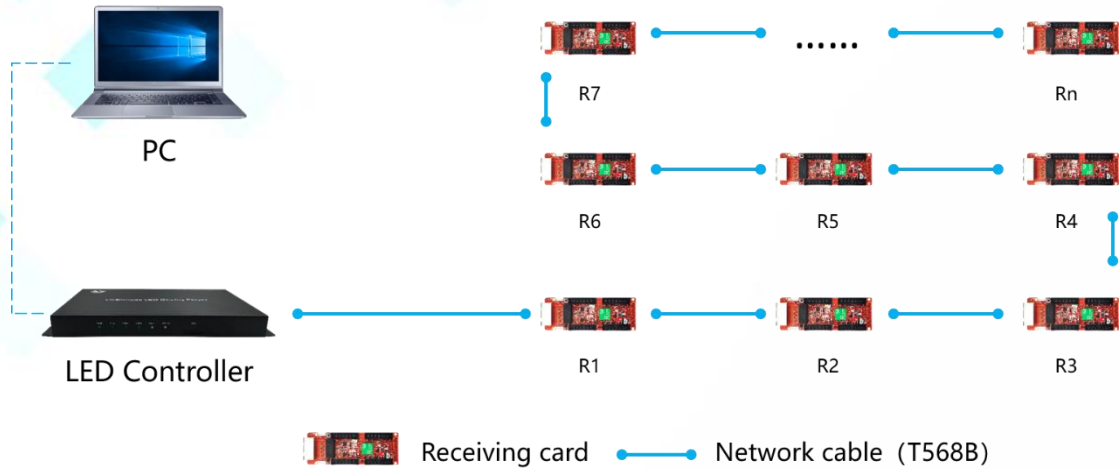
HD-R507T is a mini receiving card for fine pixel pitch LED screen, it has 4 lines 26 pin HUB ports, support 24 group RGB parallel data. R507T work with asynchronous controller, synchronous controller and all-in-one video processor.

2. Parameters Table

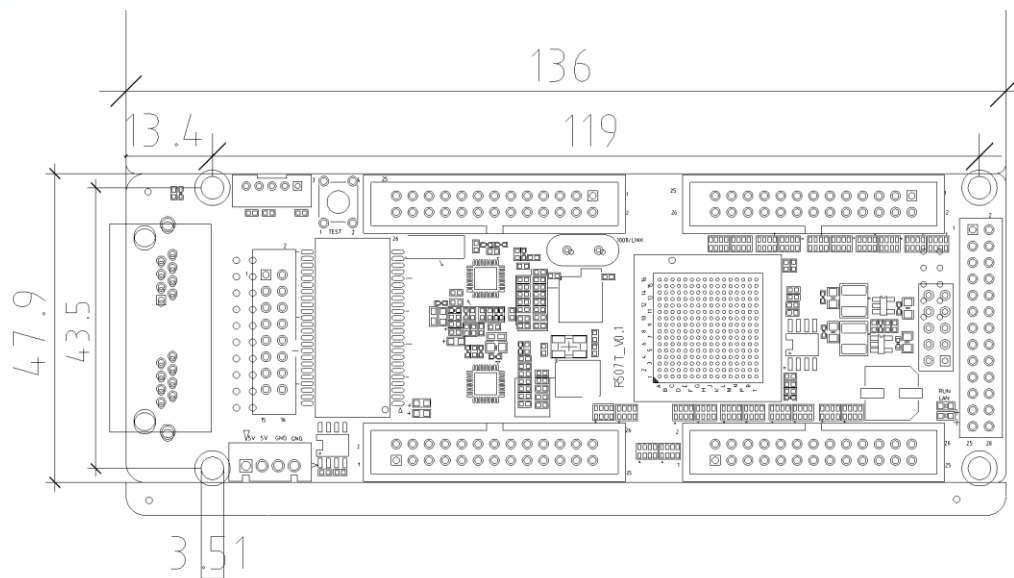
Functions	Parameters
With sending card	Dual-mode sending box, Asynchronous sending card, Synchronous sending card, Video processor of VP series.
Module type	Supports transparent screen modules for all normal chips and mainstream PWM chips.
Scan Mode	Support any scanning method from static to 1/64, support extraction and empty point setting.
Communication	Gigabit Ethernet port
Control Range	Maximum loading capacity: 131,072 pixels (128*1024) Recommend loading width≤128 pixels
Multiple cards cascaded	Receiving cards can be arbitrarily Sort, synchronized in nanoseconds
Gray Scale	Support 256~65536 (adjustable)
Smart setting	A few simple steps to complete the smart setting, and the display module can be matched with any wiring mode through the screen body routing setting.
Communication distance	80 meters by CAT5 or CAT6 RJ45 Cable
Port	2 ways of 5V DC power supply, Gigabit Ethernet*2, 26PIN HUB*4
Input voltage	4.2V-5.5V
Power	5W

3. Connection Method

Schematic diagram of connection between sending box and receiving card:



4. Dimensions Chart



5. Interface Definition

1). 16 groups of parallel data modes (Default working mode)

1	A	B	2
3	OE	LAT	4

5	CLK	VCC	6
7	C	D	8
9	R1a	G1	10
11	R1b	B1	12
13	GND	R2a	14
15	G2	R2b	16
17	B2	R3a	18
19	G3	GND	20
21	R3b	B3	22
23	R4a	G4	24
25	R4b	B4	26

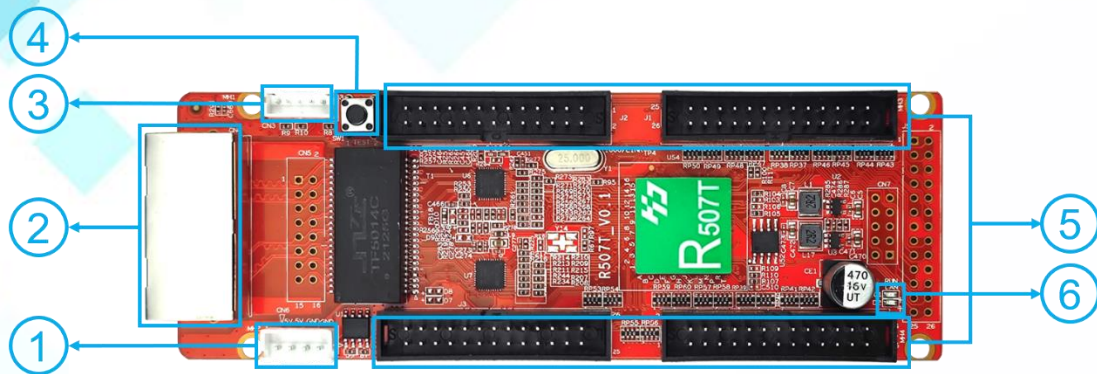
2). 20 groups of parallel data modes

1	A	B	2
3	OE	LAT	4
5	CLK	VCC	6
7	C	D	8
9	E	R1	10
11	G1	B1	12
13	GND	R2	14
15	G2	B2	16
17	R3	G3	18
19	B3	GND	20
21	R4	G4	22
23	B4	R5	24
25	G5	B5	26

3). 24 groups of parallel data modes

1	A	B	2
3	OE	LAT	4
5	CLK	VCC	6
7	R1	G1	8
9	B1	R2	10
11	G2	B2	12
13	GND	R3	14
15	G3	B3	16
17	R4	G4	18
19	B4	GND	20
21	R5	G5	22
23	B5	R6	24
25	G6	B6	26

6. Appearance Description



- ①: Power interface, can be accessed with 4.2V ~ 5.5V DC voltage.
- ②: Gigabit Ethernet port, used to connect the sending card or receiving card, the same two network ports are interchangeable.
- ③: External indicator port, used to display the working status of the receiving card.
- ④: Test button, used to test display brightness uniformity and display module flatness.
- ⑤: 26PIN HUB port, connect to the modules.
- ⑥: Work indicator, D1 flashes to indicate that the control card is running normally; D2 flashes quickly to indicate that Gigabit has been recognized and data is being received.

7. Technical Parameters

	Minimum	Typical	Maximum
Rated voltage(V)	4.2	5.0	5.5
Storage temperature (°C)	-40	25	105
Work environment temperature (°C)	-40	25	80
Work environment humidity (%)	0.0	30	95
Net weight (kg)			

Certificate	CE, FCC, RoHS
-------------	---------------

Precautions.

- 1) Different production batches, color appearance and labels may be different.